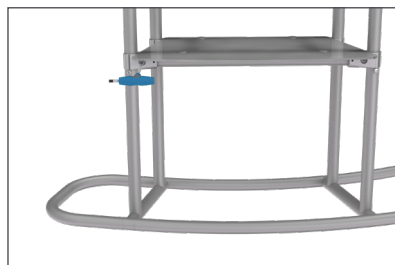
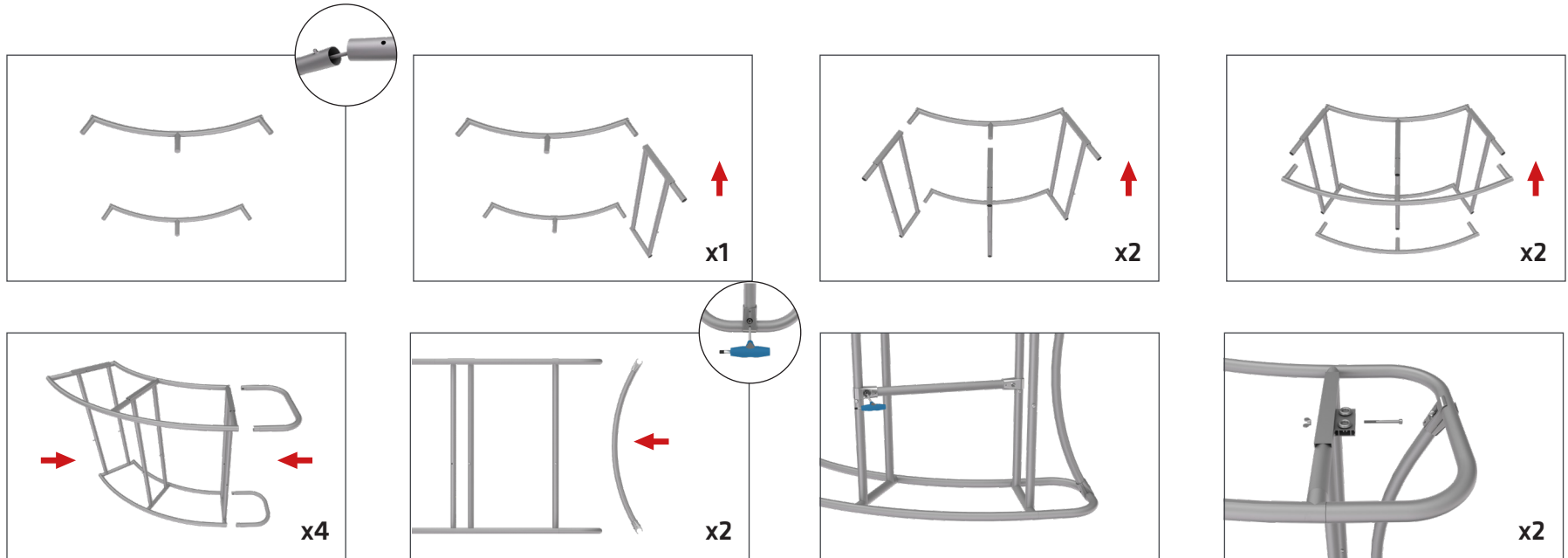




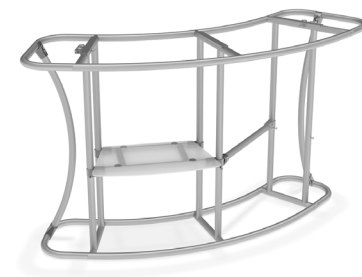
# Set Up Instructions

# IFD-H-02CV HARDWARE

**Step 1:** Assemble base parts and poles by pressing and pushing together. Use hand tool when shown.



**SHELVES:**  
(OPTIONAL) To add shelves to frame, position and level shelf on frame before tightening clamps down with hex tool.



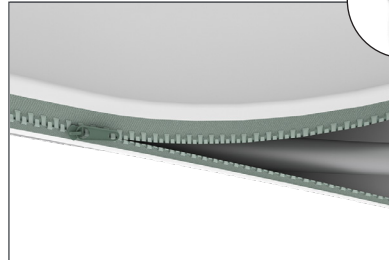
## Set Up Instructions

## IFD-G-02CV GRAPHIC & COUNTER TOP

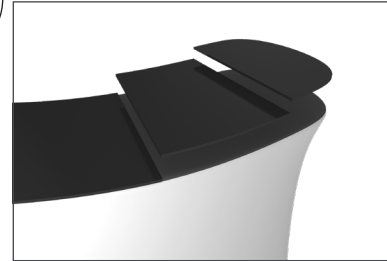
**Step 1:** Unzip print and slide print onto frame like a pillow case.



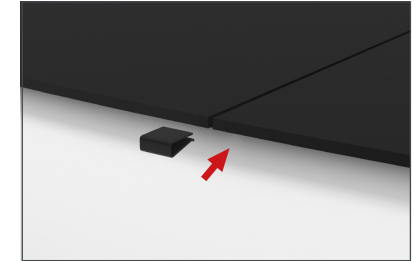
**Step 2:** Grip the fabric tightly and stretch around bottom of desk to pinch zipper into place. Zip the print together for taut finish.



**Step 3:** Attach countertop panels to fabric counter with Velcro. Start at one end and work your way across to the other side.



**Step 4:** Join counter top panels together front and back with black push-on clamps.



**STORAGE ZIPPER:**  
(OPTIONAL) Zipper access to shelving and storage.

